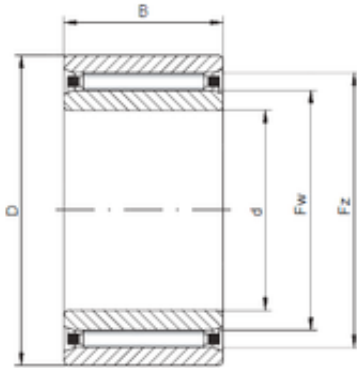


35 mm x 55 mm x 20 mm ISO NAO35x55x20 cylindrical roller bearings



Bearing No. NAO35x55x20

Size	35x55x20 mm
Bore Diameter	35 mm
Outer Diameter	55 mm
Width	20 mm
d	35 mm
Fw	40 mm
D	55 mm
Ew	47 mm
B	20 mm
C	20 mm

NAO35x55x20 Bearing 2D drawings and 3D CAD models