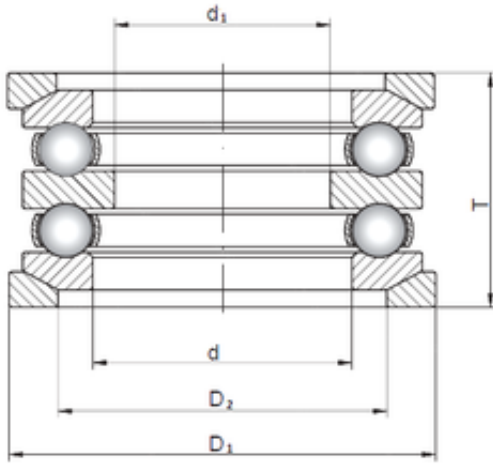


ISO 54308U+U308 thrust ball bearings



Bearing No. 54308U+U308

Bore Diameter	42 mm
d	42 mm
d1	30 mm
D1	82 mm
D2	60 mm
T	59 mm

54308U+U308 Bearing 2D drawings and 3D CAD models