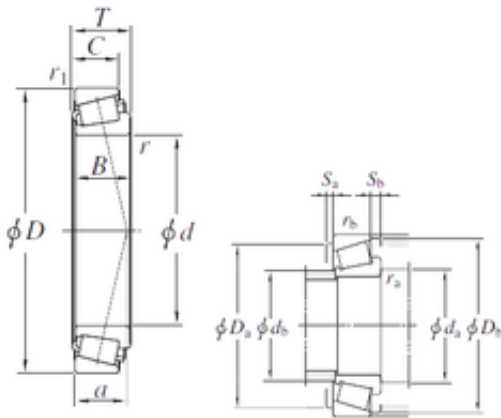


## 231,775 mm x 377,825 mm x 80,963 mm KOYO HM647448/HM647411 tapered roller bearings

Bearing No. HM647448/HM647411



HM647448/HM647411 Bearing 2D drawings and 3D CAD models

Size	231.775x377.825x79.375 mm
Bore Diameter	231,775 mm
Outer Diameter	377,825 mm
Width	79,375 mm
d	231,775 mm
D	377,825 mm
T	79,375 mm
B	80,963 mm
C	58,738 mm
a	77,6 mm
r min.	3,2 mm
r1 min.	3,2 mm
da min.	245 mm
Da min	336 mm
Da max.	365 mm
db max.	266 mm
ra max.	3,2 mm
rb max.	3,2 mm
Db	353 mm
Weight	32,9 Kg
Basic dynamic load rating (C)	958 kN
Basic static load rating (C0)	1630 kN
Calculation factor (e)	0,43
Calculation factor (Y0)	0,77



# Shandong Jiangshan Industrial Develop...