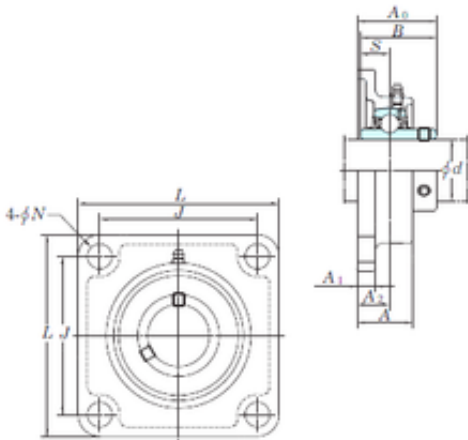


KOYO UCSF208H1S6 bearing units

Bearing No. UCSF208H1S6



UCSF208H1S6 Bearing 2D drawings and 3D CAD models

Bore Diameter	40 mm
d	40 mm
A0	51,2 mm
A	36 mm
A1	12 mm
B	49,2 mm
J	102 mm
L	130 mm
N	16 mm
S	19 mm
Bolt (G)	M14
A2	21 mm
Weight	1,7 Kg
Basic dynamic load rating (C)	24,8 kN
Basic static load rating (C0)	14,3 kN