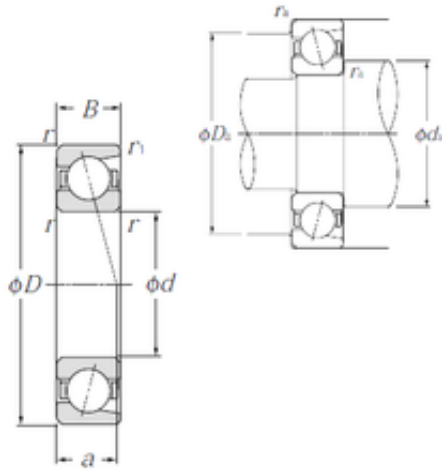


20 mm x 47 mm x 14 mm NTN 7204C angular contact ball bearings



Bearing No. 7204C

Size	20x47x14 mm
Bore Diameter	20 mm
Outer Diameter	47 mm
Width	14 mm
d	20 mm
D	47 mm
B	14 mm
C	14 mm
Angle (°)	15 °
a	11,5 mm
r min.	1 mm
r1 min.	0,6 mm
Weight	0,1 Kg
Basic dynamic load rating (C)	14,6 kN
Basic static load rating (C0)	8,15 kN
(Grease) Lubrication Speed	25 000 r/min
(Oil) Lubrication Speed	34 000 r/min

7204C Bearing 2D drawings and 3D CAD models